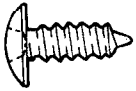
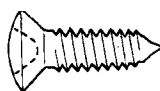
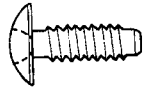
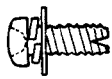

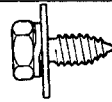



**INSTRUMENT PANEL**

For installation of the instrument panel, the bolts and screws described below are used. They are indicated by symbols in the illustration.

Name	Symbol	Size mm (in.) (D x L)	Color	Shape
Tapping screw	A	5 x 16 (.20 x .63)	-	
	B	5 x 30 (.20 x 1.2)	-	
	C	4 x 12 (.16 x .47)	Black	
	D	5 x 16 (.20 x .63)	Black	
	E	4x16(.16x.63))	-	
Washer assembled screw	F	5 x 16 (.20 x .63)	-	
	G	4x12(.16x.47)		
Washer assembled bolt	H	6 x 16 (.24 x .63)	-	
	I	6 x 16 (.24 x .63)		
	J	6 x 20 (.24 x .79)		
	K	6 x 20 (.24 x .79)	Black	
L	6 x 25 (.24 x .98)	Black		

219N0001

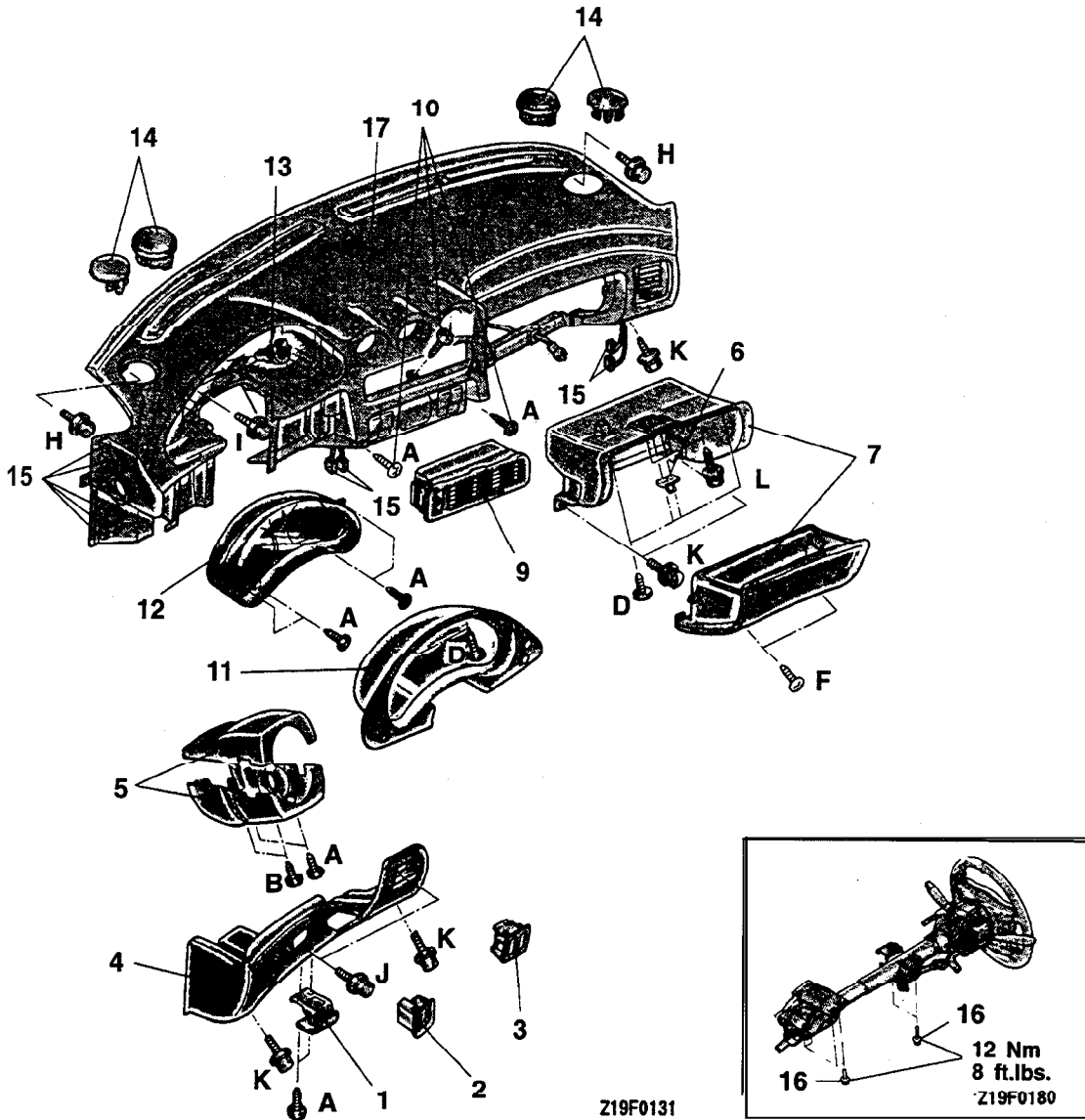
NOTE  
D = Thread diameter  
L = Effective thread length

REMOVAL AND INSTALLATION

<Up to 1993 models>

Pre-removal and Post-installation Operation  
 • Floor Console Removal and Installation  
 (Refer to P.52A-10.)

**CAUTION: SRS**  
 When removing and installing the floor console assembly, don't allow any impact or shock to the SRS diagnosis unit.



Z19F0131  
 00002349

Removal steps

1. Hood lock release handle
2. Rheostat
3. Switch garnish B
4. Knee protector assembly
5. Column cover
6. Glove box striker
7. Glove box and cross pipe cover
9. Center air outlet assembly
10. Heater control assembly installation screws

◀A▶

◀B▶

◀C▶

11. Meter bezel
12. Combination meter
13. Speedometer cable adapter (Mechanical type speedometer)
14. Speaker or plug
15. Harness connector
16. Steering shaft mounting bolts
17. Instrument panel assembly

TSB Revision

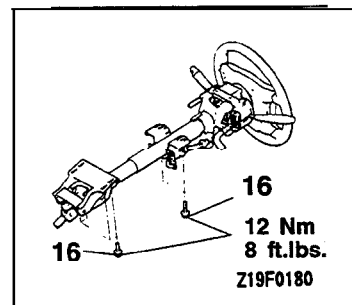
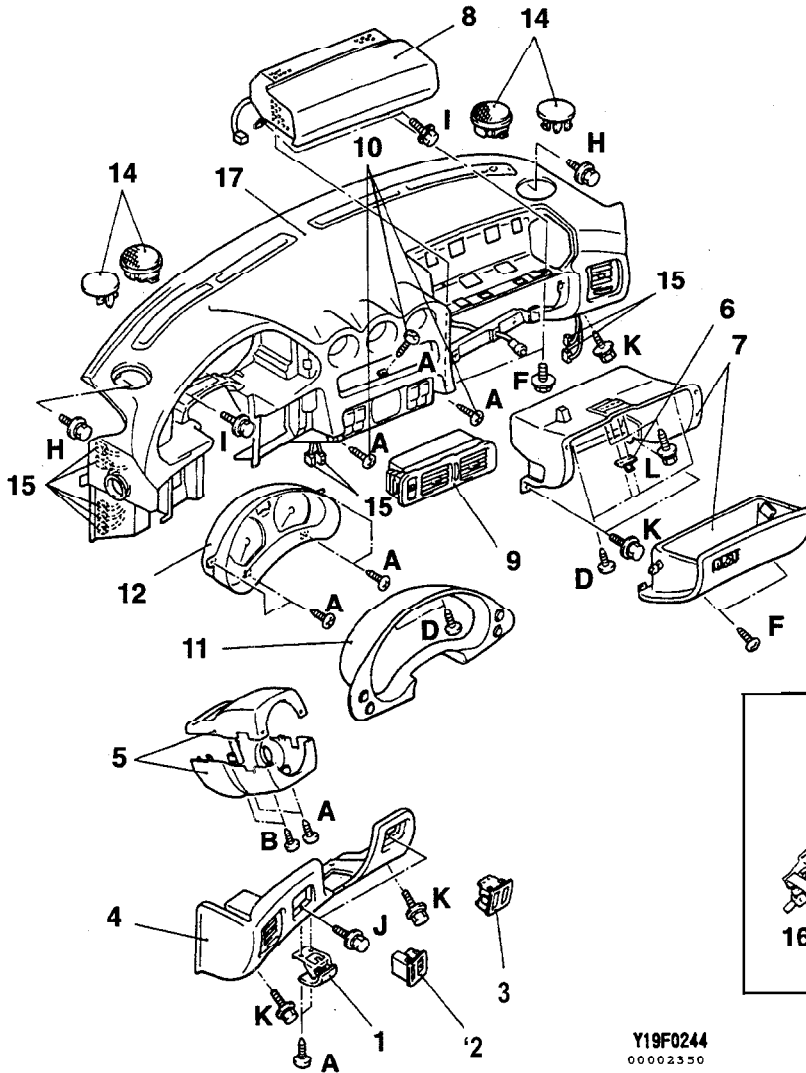
<From 1994 models>

**Pre-removal and Post-installation Operation**

- Floor Console Removal and Installation  
(Refer to P.52A-10.)

**CAUTION: SRS**

- (1) When removing and installing the floor console assembly, don't allow any impact or shock to the SRS diagnosis unit.
- (2) For the passenger side air bag module removal/installation, always observe the service procedures of GROUP 52B – Air Bag Module and Clock Spring.



Y19F0244  
00002330

**Removal steps**

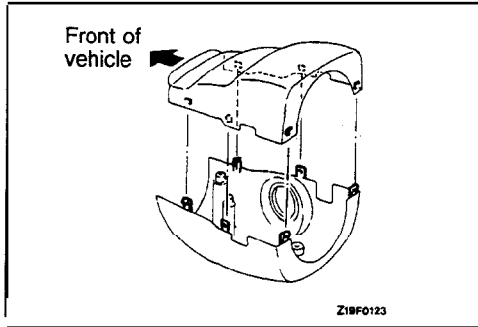
1. Hood lock release handle
2. Rheostat
3. Switch garnish B
4. Knee protector assembly
5. Column cover
6. Glove box striker
7. Glove box and cross pipe cover
8. Passenger seat air bag module  
(Refer to GROUP 52B – Air Bag Module and Clock Spring.)



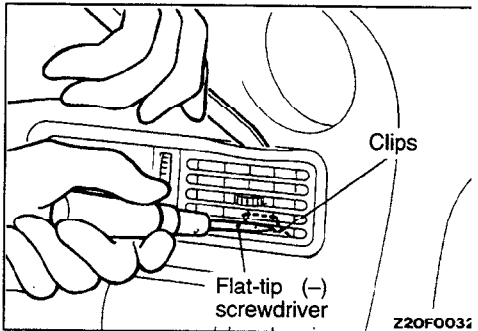
9. Center air outlet assembly
10. Heater control assembly installation screws
11. Meter bezel
12. Combination meter
14. Speaker or plug
15. Harness connector
16. Steering shaft mounting bolts
17. Instrument panel assembly



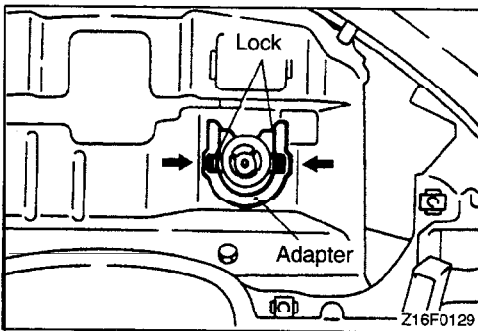
TSB Revision

**REMOVAL SERVICE POINTS****◀A▶ COLUMN COVER REMOVAL**

Remove the screws and remove the column cover while being careful not to break the claws.

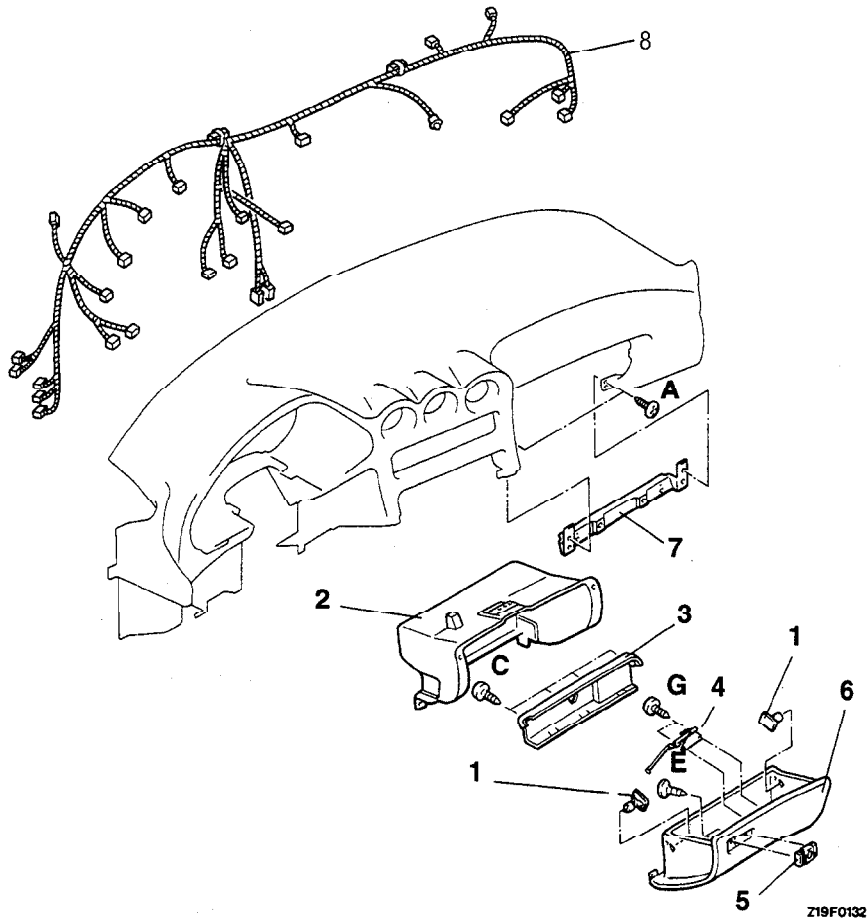
**◀B▶ CENTER AIR OUTLET ASSEMBLY REMOVAL**

Disengaging the clips of the center air outlet assembly with a flat tip (-) screwdriver, remove the center air outlet assembly with the trim stick.

**◀C▶ SPEEDOMETER 'CABLE ADAPTER (MECHANICAL TYPE SPEEDOMETER) REMOVAL**

- (1) Disconnect the speedometer cable at the transaxle end of the cable.
- (2) Remove the adapter locks from the instrument panel.
- (3) Pull the speedometer cable slightly toward the passenger compartment and remove the adapter.

DISASSEMBLY AND REASSEMBLY



**Glove box disassembly steps**

1. Glove box stopper
2. Cross pipe cover
3. Glove box cover
4. Ratchet assembly
5. Lock cylinder assembly
6. Glove box

**Instrument panel disassembly steps**

7. Glove box lower frame  
(Refer to GROUP 55 – Ventilators.)
  - Side air outlet (Refer to GROUP 55 – Ventilators.)
  - Photo sensor (Refer to GROUP 55 – Ventilators.)
  - Defroster garnish (Refer to GROUP 55 – Ventilators.)
  - Heater ducts (Refer to GROUP 55 – Ventilators.)
  - Combination gauge  
(Refer to GROUP 54 – Meters and Gauges.)
8. Instrument panel wiring harness